

## Mahogany Portobello Series

The mahogany Portobello series of doors and entryways offers an extensive selection with numerous options. 1-3/4" thick Portobello door and sidelite profiles are available in 6 foot 8 inch and 8 foot tall heights in 32", 36", and 42" wide door sizes. Standard sidelites are available in 12" and 14" widths matching both the 6'-8" and 8'-0" tall doors. Some 8'-0" tall mahogany Plank and single round top doors are also available in a 2-1/4" thick option. Matching transoms are available for most designs. Portobello doors feature 5 mm thick laminated (nominal), engineered stiles and rails to virtually eliminate warping, plus extra wide stiles, wide-raised moldings on the door exterior, and thicker raised door panels. Portobello door panels are constructed using a 3-piece assembly that incorporates a "cross-grained" spline in the core to eliminate panel splitting. Doors are assembled using an authentic doweled cove-and-bead technique.

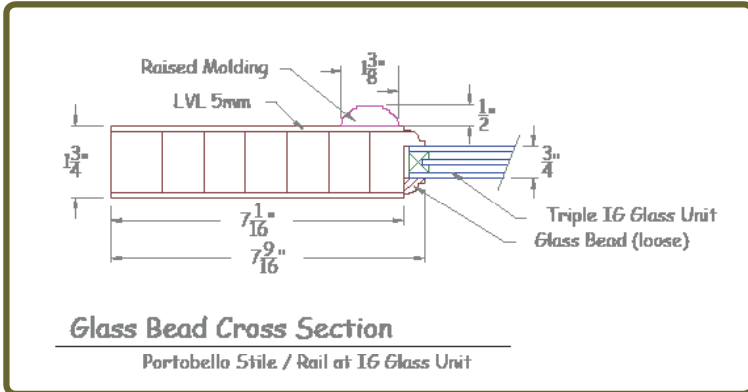
Portobello doors also feature a wide variety of intricate, decorative glass panel options with Black, Satin Nickel and Oil Rubbed Bronze metal caming and a large selection of wrought iron grille options with Antique Black, Antique Bronze and Antique Pewter color selections available.

All 2'-8" Portobello doors include Legacy raised molding and 5-5/8" Stiles.

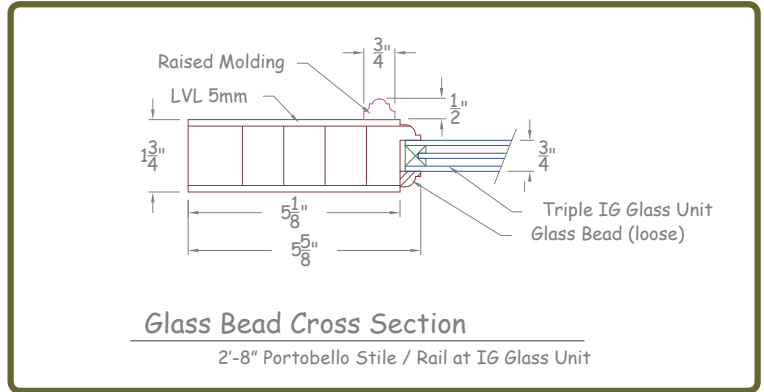


Section view of panel and stile of a Portobello door. Note the wider stile, thicker panel and heavier exterior molding profile.

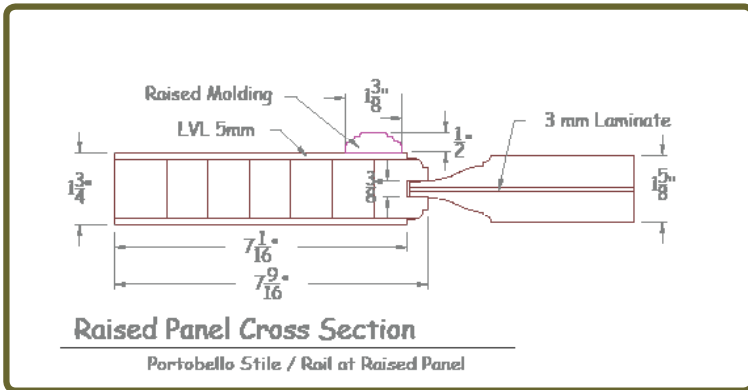
### 3'-0" Portobello



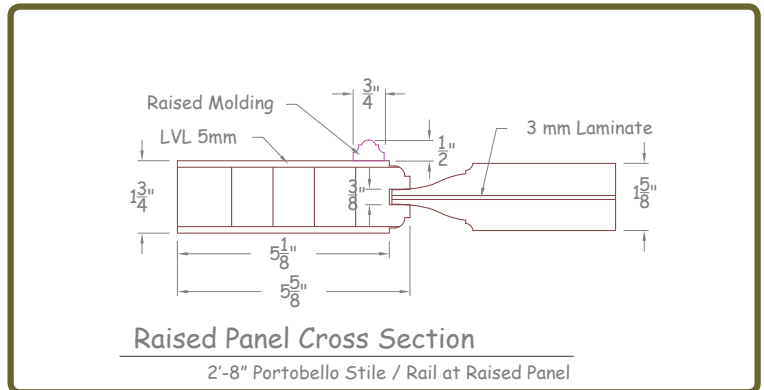
### 2'-8" Portobello



### 3'-0" Portobello



### 2'-8" Portobello



1. Solid wood construction in the stiles and rails and panels. Stiles of these Portobello door series use a laminated-engineered construction method, which greatly reduces the possibility of warpage, and without the potential problems of a veneer door.
2. Portobello door panels are fully floating (not glued) for superior strength and longevity. Raised panels used finger joint construction for strength.
3. All stile and rail joints use full cove and bead construction (instead of butt-gluing), and incorporate multiple grooved dowel construction at each joint. The Top Rail and Lock Rails use 3 dowels per side, which the large Bottom Rail uses 4 dowels per side.
4. Portobello doors are available prehung in matching mahogany components. This assures a beautiful match and consistent grain and stain pattern. 4-5/8" and 6-5/8" jamb widths are standard.
5. Options: Some Portobello doors are available with V-Grooving, Clavos, Speakeasy options

<b>STILE WIDTH</b>		
42" width doors:		7-5/8"
36" width doors:	full light, 3/4 light, 2/3 light, arch:	7-5/8"
36" width doors:	full oval, half oval, 6 panel doors:	6-1/2"
32" width doors:		5-5/8"

**WOOD SPECIES:** Meranti Mahogany or equivalent

\* all specifications, product designs and information listed are subject to change without prior notice. We constantly are improving our products, and these improvements may cause us to change the specifications listed.