

The TDL "True Divided Lite" Series with Low-E Options

GlassCraft's TDL "True Divided Lite" collection provides a selection of classic French doors and stylish Prairie and Craftsman doors—all with beautiful and rich woodgrains. The TDL Series of mahogany and knotty alder doors will complement a wide range of architectural styles. TDL doors in this catalog do not use simulated divided lites. The TDL doors feature double insulated, low emissivity "Low-E" glass panels for security, strength, and energy efficiency.

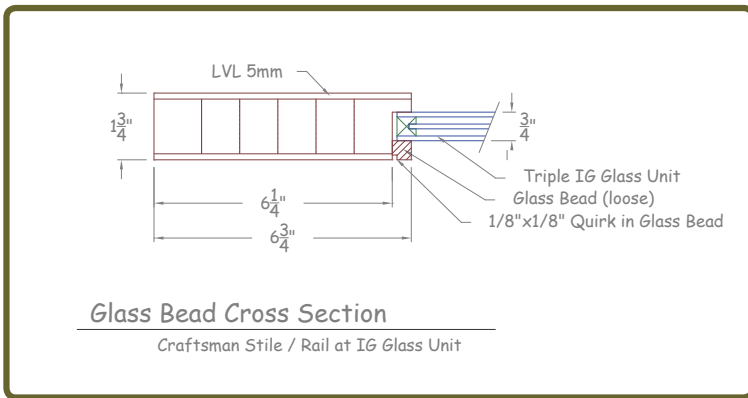
This TDL Series provides an impressive range of options and finishes. Choose from six finish colors in our Traditional and Distressed finish options. GlassCraft TDL doors and sidelites incorporate tempered safety glass for safety and security. These doors may be ordered alone, or assembled in matching mahogany and knotty alder jambs for interior and exterior applications.

Doors feature laminated, engineered stiles and rails to virtually eliminate warping. Door panels are constructed using a 3-piece assembly that incorporates a "cross-grained" spline in the core to eliminate panel splitting. Doors are assembled using an authentic doweled cove-and-bead technique.

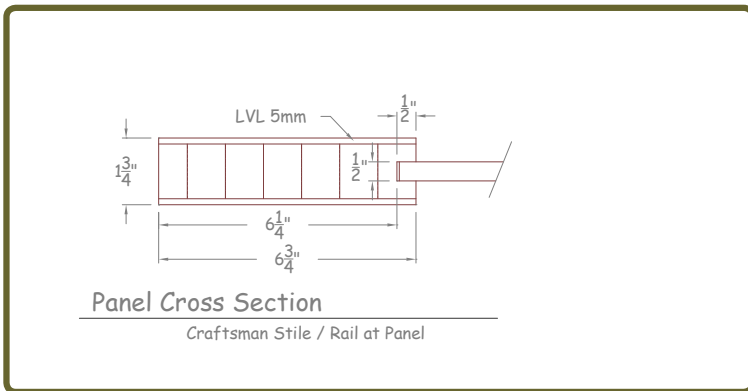


Section view of panel and stile of a TDL door.

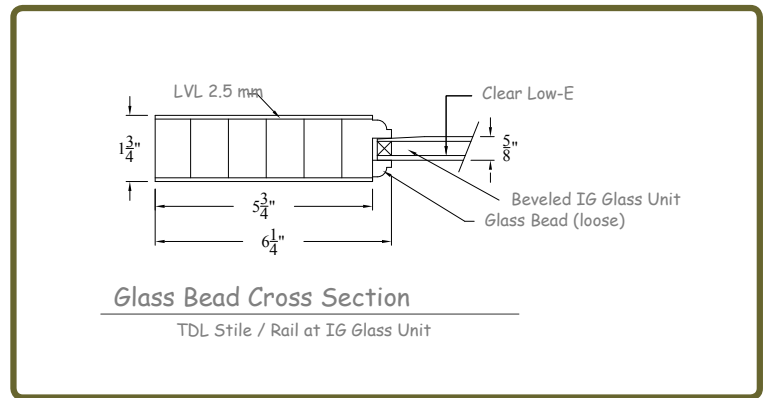
Craftsman Glass Panel



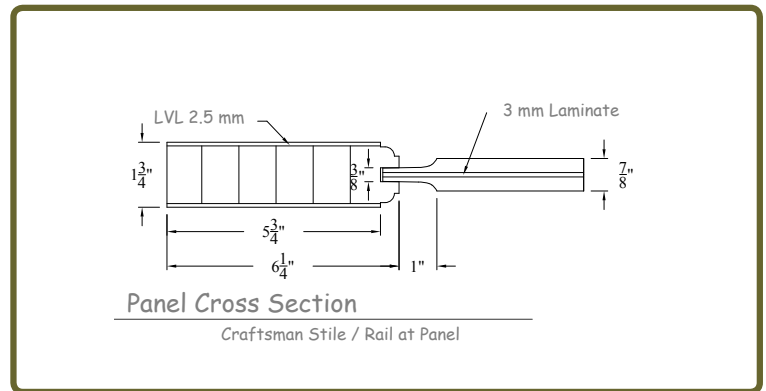
Craftsman Panel



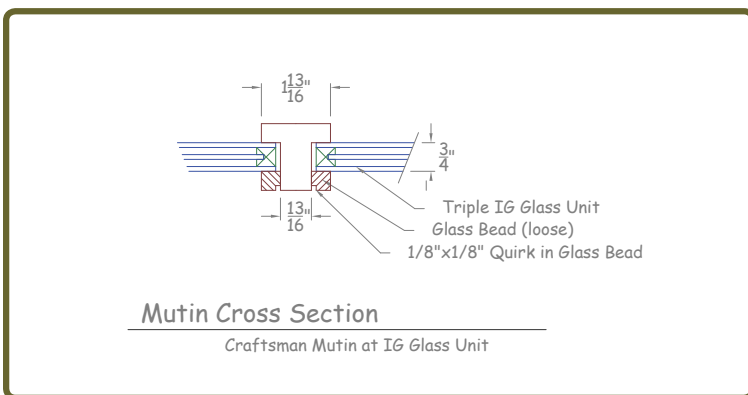
TDL Glass Panel



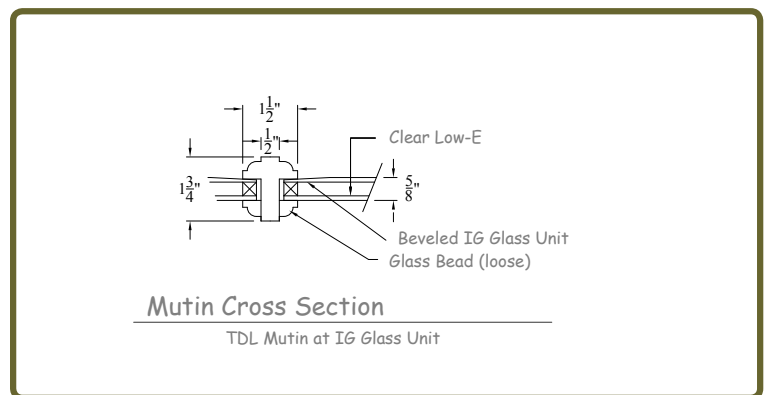
TDL Panel



Craftsman Mutin Bar



TDL Mutin Bar



1. Solid wood construction. in the stiles and rails. Stiles of these TDL door series use a laminated-engineered construction method, which greatly reduces the possibility of warpage, and without the potential problems of a veneer door.
2. TDL and Craftsman door panels are fully floating (not glued) for superior strength and longevity. Panels are flat (no detail or profiles) in keeping with the craftsman design appearance. TDL panels use a 7/8" thick raised panel. Panels are finger jointed.
3. All stile and rail joints use full cove and bead construction (instead of butt-gluing), and incorporate multiple grooved dowel construction at each joint. The Top Rail and Lock Rails use 3 dowels per side, which the large Bottom Rail uses 4 dowels per side.
4. TDL doors are available prehung in matching mahogany and knotty alder components. This assures a beautiful match and consistent grain and stain pattern. 4-5/8" and 6-5/8" jamb widths are standard. Also available are matching TDL Transoms. All transoms include IG double thick beveled glass. 6 lite and 3 lite double arch top, 6 lite 8'-0" single and the 4 lite 6'-8" single TDL doors are available with single glass thickness.
5. Glass panels in TDL Doors are available in double glazed. All doubled thick IG panels are include a 1" beveled edge. All single thickness glass is not beveled. All glass is tempered for safety.

STILE WIDTH :

All doors 6-1/4" wide
12" wide sidelights 1-1/2" wide
14" wide sidelights 2-1/2" wide

PANEL THICKNESS:

All Craftsman doors 7/16" laminated panel
All TDL doors 7/8" Panel

RAISED MOLDING WIDTH:

No Raised Moldings

* all specifications, product designs and information listed are subject to change without prior notice. We constantly are improving our products, and these improvements may cause us to change the specifications listed.