

**INSTRUCTION:** Use this form to order any standard pre-hung or non-prehung entryway that is shown in our Fibercraft Composite Door product catalog (to order custom, use the custom order form for Composite entry doors on our website). Be sure to use the pre-hung unit numbers or door slab stock numbers (for non-prehung) shown on the catalog.

**CONTACT INFORMATION:**

**Company Name:** \_\_\_\_\_  **Contact Name:** \_\_\_\_\_  
 **Address** \_\_\_\_\_ **City, State, Zip** \_\_\_\_\_  **Contact Email:** \_\_\_\_\_  
 **Phone** \_\_\_\_\_  **PO #** \_\_\_\_\_

**IMPACT APPROVED:**  NO (Standard)  Yes Note: Impact Product may extend lead time and/or increase price.

**ENTRYWAY STOCK #** (refer to the FiberCraft catalog): \_\_\_\_\_

**SIZE:** Enter the size information based on the available sizes for a specific door or sidelite as noted in the FiberCraft catalog.

**Doorway Width:**  32"  36"  42"

**Door Height:**  6'8"  8'0"

**Sidelite Width**  12"  14"

**PREFINISH OPTION:** Choice of Estate or Artisan Antique and Distressed finishing. GlassCraft's exclusive prefinishing system adds protection to the doors.

Door & Frame  Door Only/Unfinished Frame  No (Unfinished)

**Estate Collection:** (Choose Wood Grain)  **Cherry**  **Mahogany**  **Knotty Alder**  
 (Choose Stain)  Mocha  Cranberry  Sycamore

**Artisan Collection:** (Choose Finishing)  **Antique**  **Distressed**

**Antique Cherry:**  Chestnut  Rosewood  Pecan  
**Reclaimed Mahogany:**  Espresso  Crimson  Gunstock  
**Craftsman Mahogany:**  Espress  Crimson  Gunstock  
**Pacific Knotty Alder:**  Caramel  Toffee  Sienna  
**American Black Walnut**  Weathered Saddle  Onyx

**DECORATIVE OPTIONS:** Enter your choice for Decorative Glass, Speakeasy grille, Wrought Iron grille, GBG grille or Bungalow Grille Design. Also indicate your choice for Straps, Clavos or V-Groove option if applicable.

**V-Grooved** (if applicable):  Yes  No **NOTE:** Refer to the FiberCraft catalog to view available door styles with V-Grooved option.

**Decorative Glass Design** (if applicable): \_\_\_\_\_

**Speakeasy Grille Design** (if applicable): \_\_\_\_\_  No Grille

**Clavos (Door Nails) Design** (if applicable): \_\_\_\_\_ **Straps Design** (if applicable): \_\_\_\_\_

**Wrought Iron Grille Design** (if applicable): \_\_\_\_\_ **GBG Grille Design** (if applicable): \_\_\_\_\_

**BungalowGrille Design** (if applicable): \_\_\_\_\_ **Peephole Viewer** (if applicable):  Yes  No

**GLASS OPTIONS:** Choose the available glass texture option as noted on the FiberCraft catalog. Not all glass textures are available for all designs.

Clear  Water  Large Flemish  Reeds  Rain  Cloud  Speakeasy panel (if applicable)

NOTE: Cloud is only available for Contemporary doors. Large Flemish is only available for doors with Speakeasies, Wrought Iron, and Privacy & Clear.

**PRE-HUNG OPTION:** Standard Pre-hung units include the following: 4 1/2" Jamb Legs, Header, Standard Sill, Boots, Hinges, Weatherstrip and if applicable, T-Astragal, Mull Posts, and Flush Bolts. All items indicated as an upgrade are not included in the Standard Prehung-units and will be charged at an additional cost.

**Jamb Legs:**  4 1/2"  6 1/2" (upgrade)

**Sill:**  Standard  Endura (upgrade)  ADA (upgrade) **Sill Color:**  Bronze Aluminum  Mill Aluminum

**Hinges Color:**  Black  Satin Nickel  Oil Rubbed Bronze

**Other Upgrade Options:** (extra charge): Check additional upgrade components you want to include in your pre-hung unit from the choices below:

Brick Mold  Door Sweep  Strikejamb Reinforcement  Door Bore  Construction door

If adding Door Bore, please answer the following questions below:

**GlassCraft Multipoint Lock Prep:**  Yes  No Handleset Part # \_\_\_\_\_ \*Dummy Handleset Part # \_\_\_\_\_

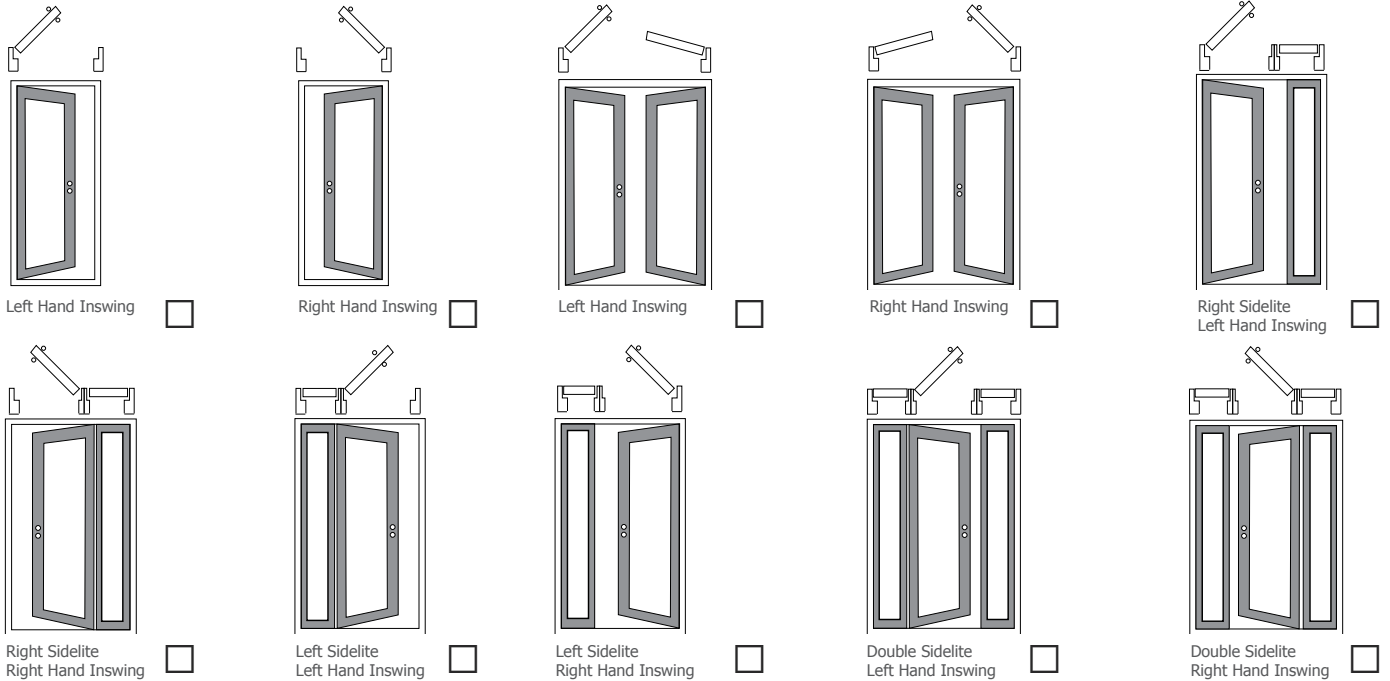
**Latch Set Bore:**  Yes  No If yes, select bore distance (for standard lock sets only):  2 3/8"  2 3/4"

**Dead bolt bore:**  Yes  No If yes, select bore diameter (for standard lock sets only):  2 1/8"  Other \_\_\_\_\_

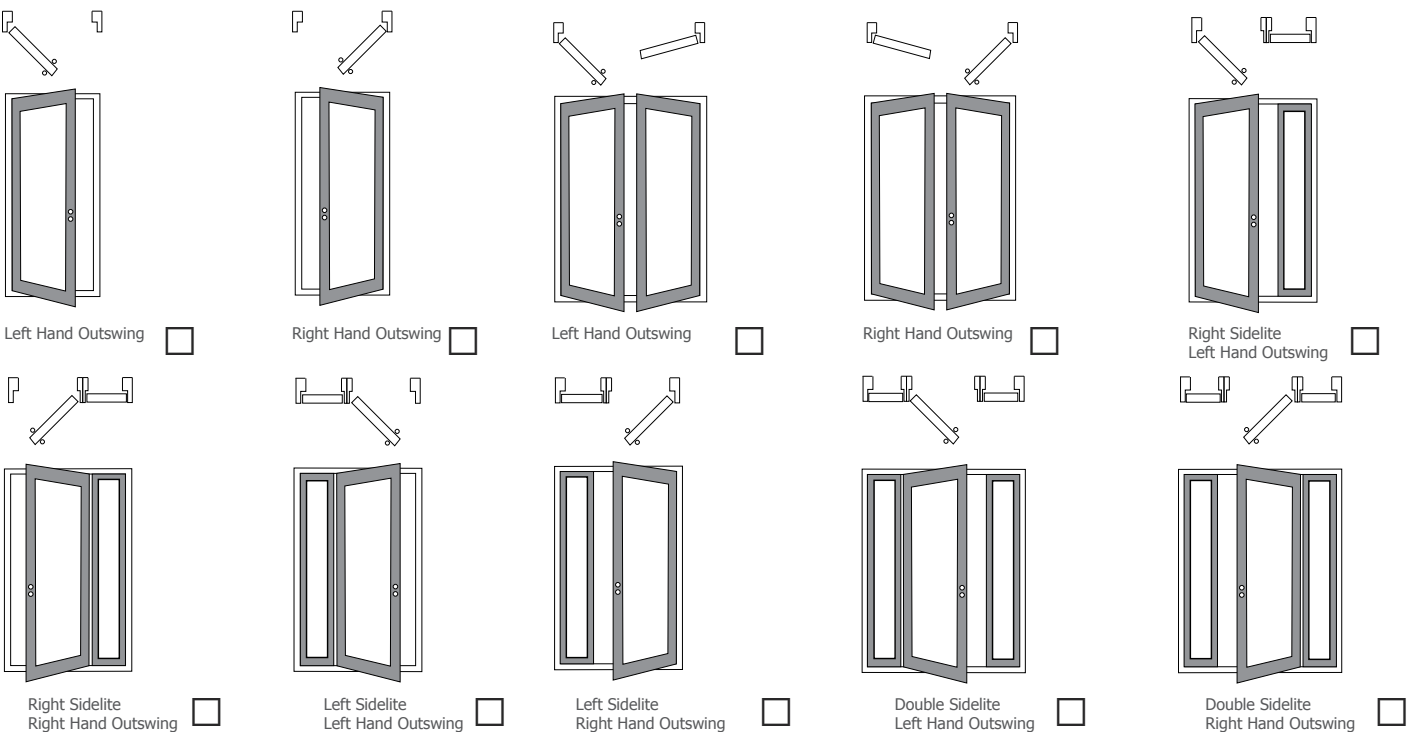
**Center to center distance:**  5 1/2"  Other \_\_\_\_\_ \*Dummy handleset is mounted on the inactive door of a double door unit.

**PRE-HUNG HANDING CONFIGURATIONS**

**Inswing Configuration:** Handings are to be acknowledged from the exterior looking in. GCDC designations could be different from what you are accustomed to. Please double check according to the images below.



**Outswing Configurations:** Handings are to be acknowledged from the exterior looking in. GCDC designations could be different from what you are accustomed to. Please double check according to the images below.



Additional information or special instructions (make sure to include standard options that may not be specified on this form):

---

---

---

---

---

---

---

---

---

---

**NOTE:** Brick mold, subcasing and interior casings are shipped uninstalled on pre-hung units. Some transom configurations have installed Sub-Casing and Brick mold. Entryways with Sidelites will be produced using a "fat boy" mull between the door and sidelites to allow for a continuous door sill to be installed.

**SHIPPING INFORMATION:**

- Entry will be picked up from GlassCraft assembled
- Entry will be shipped K-D (knocked down) and crated
- Entry will be shipped assembled and crated (Unit may not be completely assembled, depending upon configuration. Please inquire for more information.)

**GLASSCRAFT USE ONLY:**

Received on: \_\_\_\_\_  
Confirmed on: \_\_\_\_\_  
Price quotation: \_\_\_\_\_  
Estimated Ship Date: \_\_\_\_\_  
CSR initials: \_\_\_\_\_

**I ACCEPT THIS ORDER.**

\_\_\_\_\_  
Signature

\_\_\_\_\_  
Date

**SUBMIT THIS FORM:**

- **Email to:** [orderentry@glasscraft.com](mailto:orderentry@glasscraft.com)
- **Fax to:** 713-690-2919

**IMPORTANT:** Changes or cancellations made to this order after signed confirmation is received by GlassCraft may result in additional charges.

**Submit Form**

**PLEASE NOTE:** The ability to submit this form using the Submit button may be limited by your computer setup. If you are unable to submit the form using the Submit button. Please save the file to your computer and send it to [orderentry@glasscraft.com](mailto:orderentry@glasscraft.com)